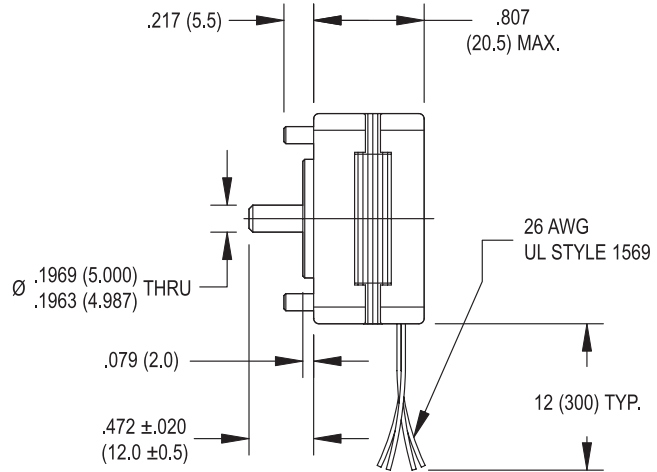
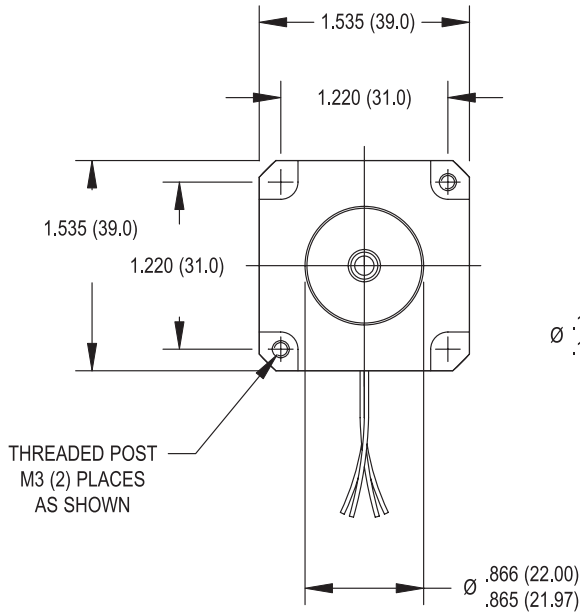
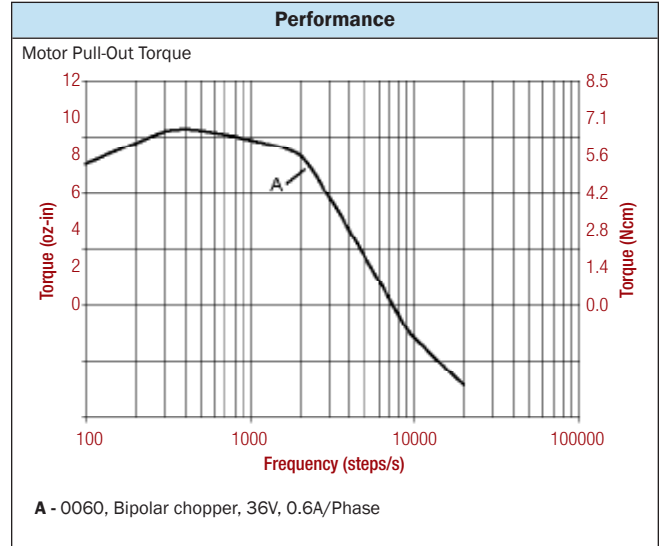


SIZE 16 STEPPER MOTOR DATA



Specification	Units	HY 200 1607	
		0060	
Rated Phase Current	A	0.60	
Phase Resistance	Ω	6.6	
Phase Inductance	mH	8.5	
Holding Torque Unipolar	oz-in	—	
	Ncm	—	
Holding Torque Bipolar	oz-in	12	
	Ncm	8.7	
Detent Torque	oz-in	1.4	
	Ncm	1.0	
Rotor Inertia	oz-in-s ² ×10 ⁻⁴	1.6	
	g-cm ²	11	
Motor Weight (Mass)	lb	0.33	
	kg	0.15	
Maximum Voltage	V	40	
Std. No. of Leads	—	4	



- Standard Features**
- Step angle: 1.8°
 - Step angle accuracy: 5%
 - Insulation class: B (130 °C)
 - NEMA 17 mounting configuration
 - Additional windings and customization options available

- Complementary Products**
- Gearboxes
 - Encoders

