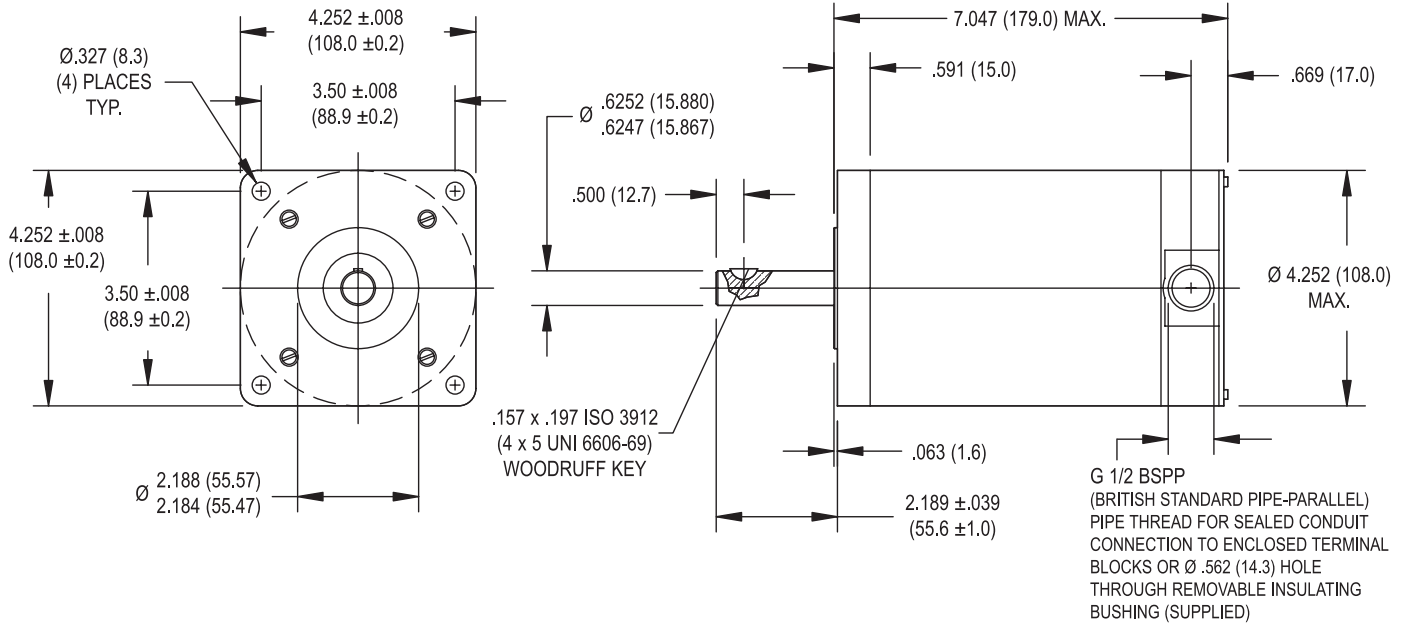
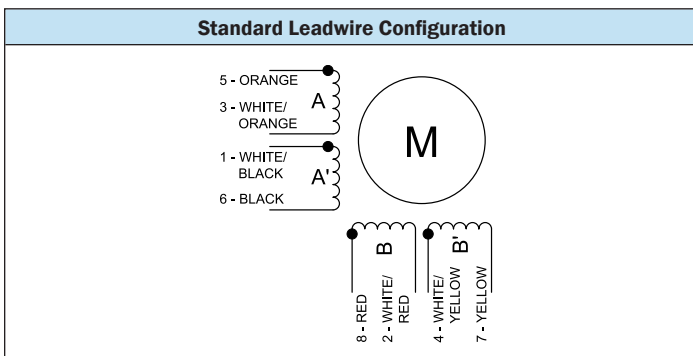
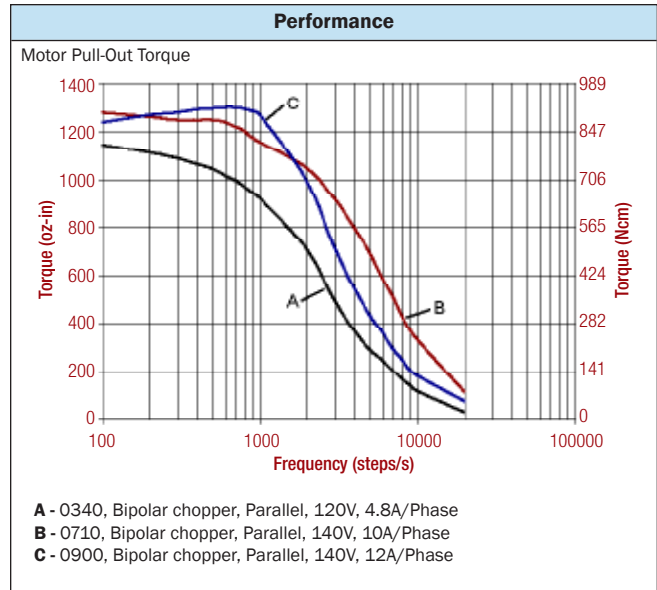


SIZE 42 STEPPER MOTOR DATA



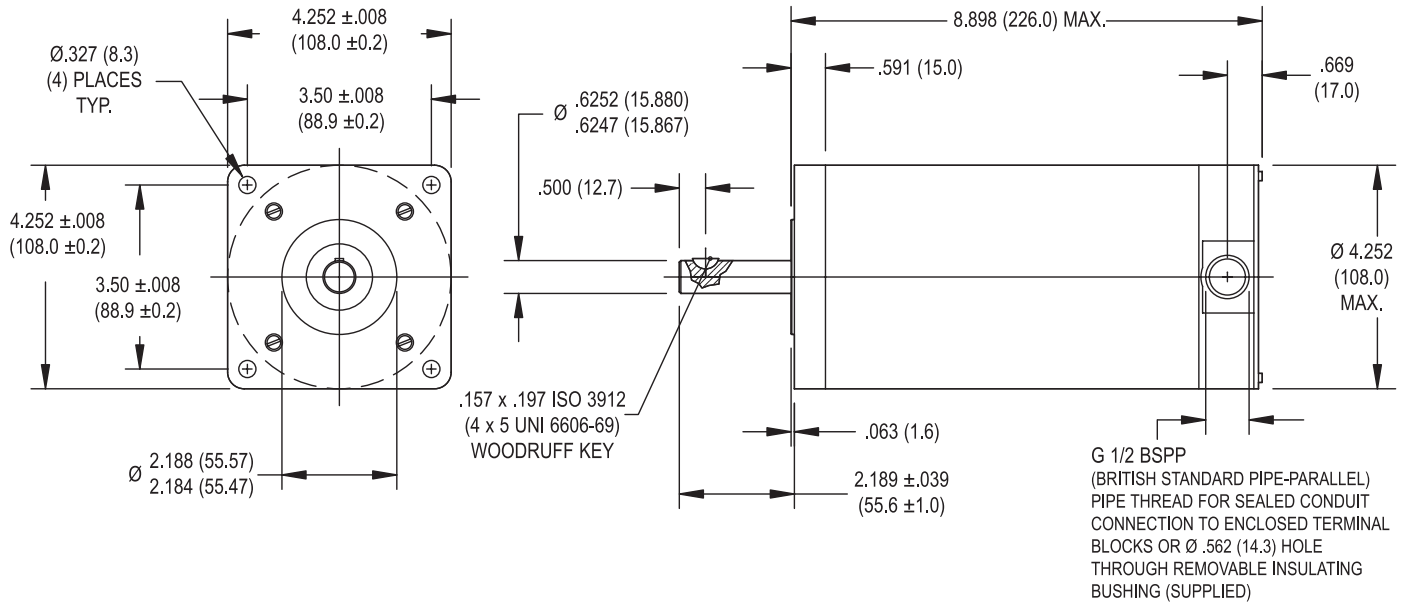
Specification	Units	HY 200 4270		
		0340	0710	0900
Rated Phase Current	A	3.40	7.10	9.00
Phase Resistance	Ω	1.1	0.30	0.34
Phase Inductance	mH	6.3	2.0	2.7
Holding Torque Unipolar	oz-in	1130	1175	1450
	Ncm	798	830	1024
Holding Torque Bipolar	oz-in	1402	1459	1798
	Ncm	990	1030	1270
Detent Torque	oz-in	99	99	99
	Ncm	70	70	70
Rotor Inertia	oz-in-s ² x10 ⁻⁴	779	779	779
	g-cm ²	5500	5500	5500
Motor Weight (Mass)	lb	16	16	16
	kg	7.3	7.3	7.3
Maximum Voltage	V	140	140	140
Std. No. of Leads	-	8	8	8



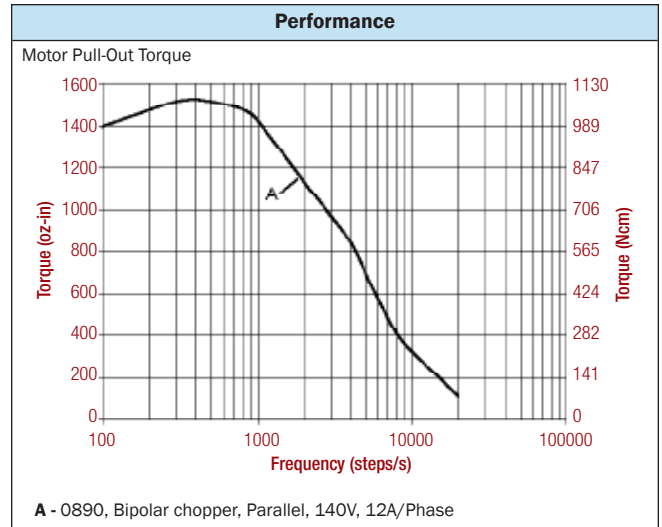
- Standard Features**
- Step angle: 1.8°
 - Step angle accuracy: 5%
 - Insulation class: B (130°C)
 - NEMA 42 mounting configuration
 - Additional windings and customization options available
 - CE approved

- Complementary Products**
- Gearboxes
 - Encoders

SIZE 42 STEPPER MOTOR DATA



Specification	Units	HY 200 4288	
		0890	
Rated Phase Current	A	8.90	
Phase Resistance	Ω	0.31	
Phase Inductance	mH	2.3	
Holding Torque Unipolar	oz-in	1614	
	Ncm	1140	
Holding Torque Bipolar	oz-in	2018	
	Ncm	1425	
Detent Torque	oz-in	92	
	Ncm	65	
Rotor Inertia	oz-in-s ² x10 ⁻⁴	1175	
	g-cm ²	8300	
Motor Weight (Mass)	lb	23	
	kg	10.5	
Maximum Voltage	V	140	
Std. No. of Leads	—	8	



- Standard Features**
- Step angle: 1.8°
 - Step angle accuracy: 5%
 - Insulation class: B (130 °C)
 - NEMA 42 mounting configuration
 - Additional windings and customization options available
 - CE approved

- Complementary Products**
- Gearboxes
 - Encoders

