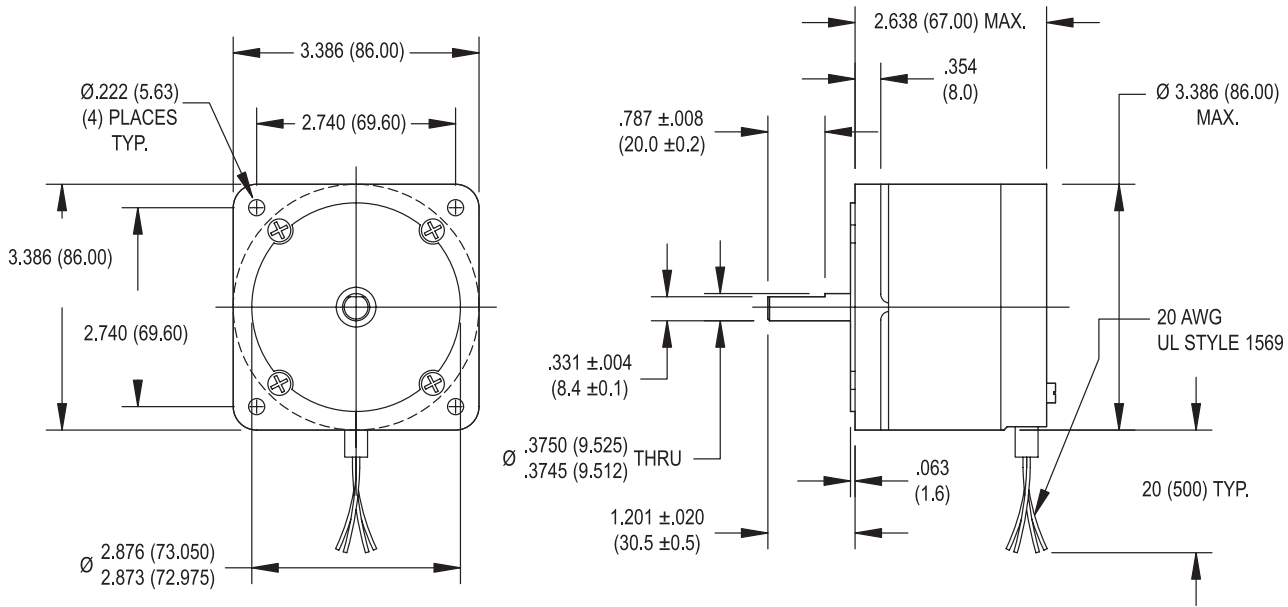
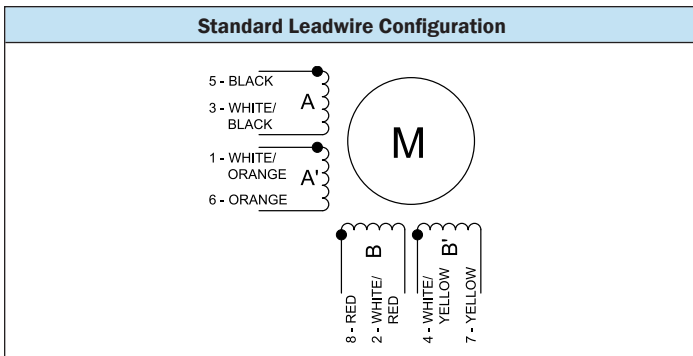
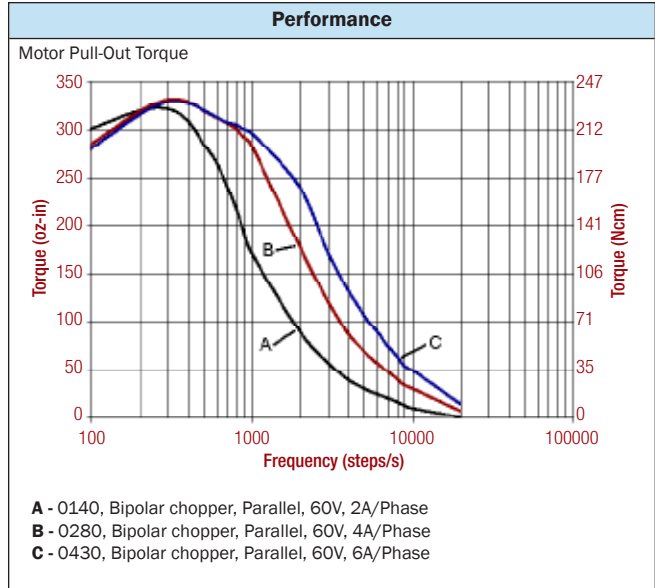


SIZE 34 STEPPER MOTOR DATA



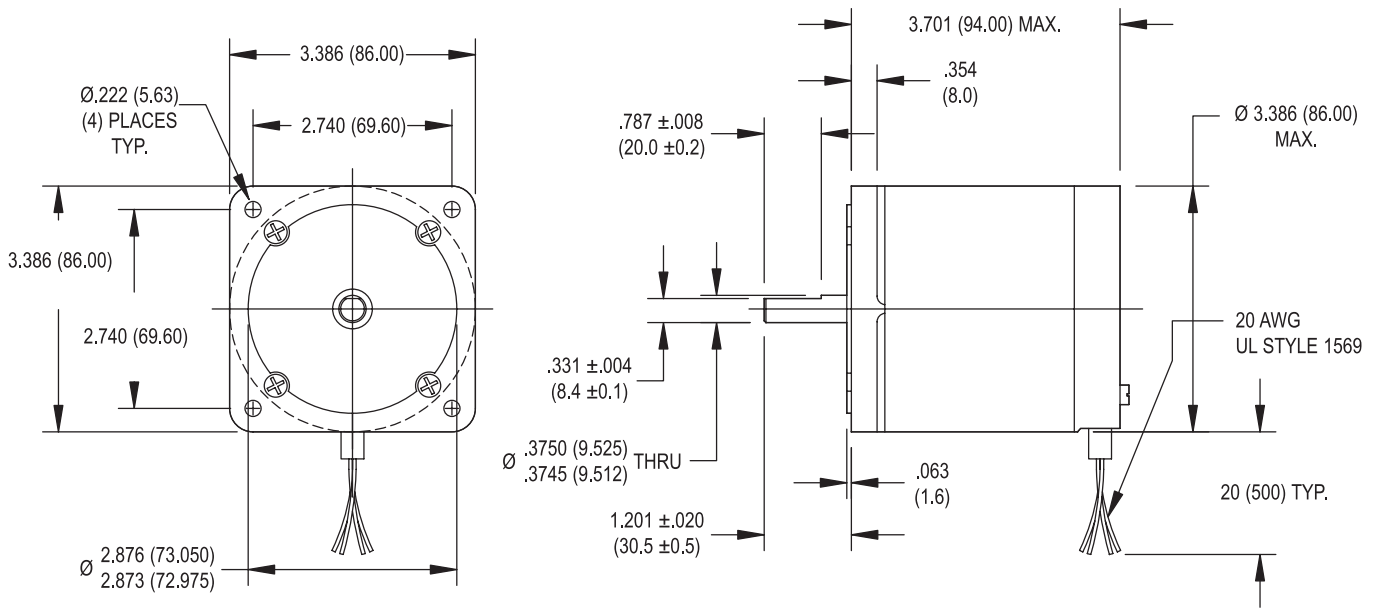
Specification	Units	HN 200 3426		
		0140	0280	0430
Rated Phase Current	A	1.40	2.80	4.30
Phase Resistance	Ω	5.0	1.3	0.55
Phase Inductance	mH	21	5.1	2.1
Holding Torque Unipolar	oz-in	326	326	326
	Ncm	230	230	230
Holding Torque Bipolar	oz-in	397	397	397
	Ncm	280	280	280
Detent Torque	oz-in	12	12	12
	Ncm	8.5	8.5	8.5
Rotor Inertia	oz-in-s ² x10 ⁻⁴	93	93	93
	g-cm ²	660	660	660
Motor Weight (Mass)	lb	3.5	3.5	3.5
	kg	1.6	1.6	1.6
Maximum Voltage	V	90	90	90
Std. No. of Leads	—	8	8	8



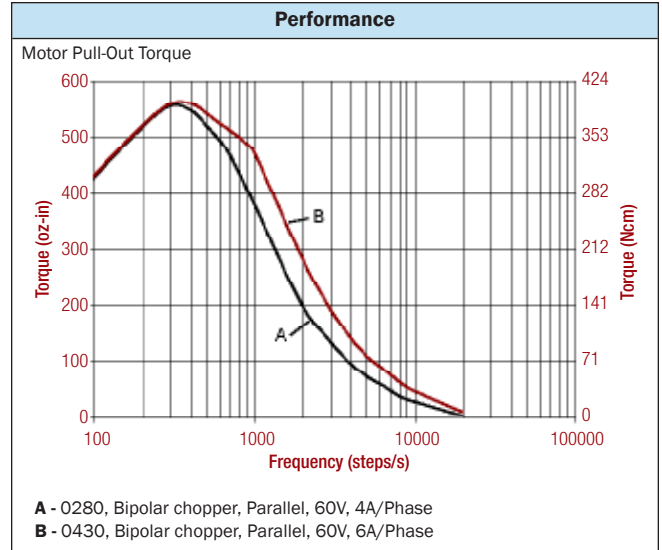
- Standard Features**
- Step angle: 1.8°
 - Step angle accuracy: 5%
 - Insulation class: B (130°C)
 - NEMA 34 mounting configuration
 - Additional windings and customization options available
 - CE approved

- Complementary Products**
- Gearboxes
 - Encoders

SIZE 34 STEPPER MOTOR DATA

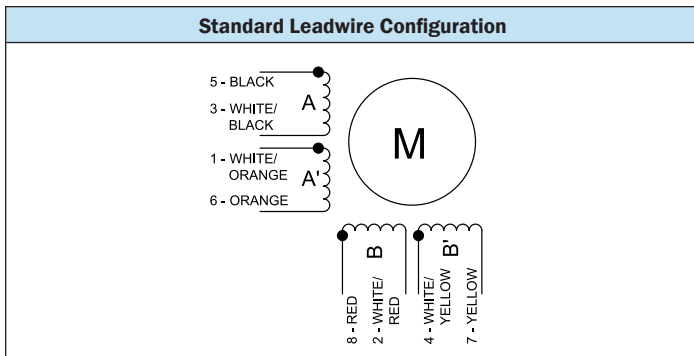


Specification	Units	HN 200 3438	
		0280	0430
Rated Phase Current	A	2.80	4.30
Phase Resistance	Ω	1.7	0.75
Phase Inductance	mH	7.7	3.5
Holding Torque Unipolar	oz-in	538	538
	Ncm	380	380
Holding Torque Bipolar	oz-in	680	680
	Ncm	480	480
Detent Torque	oz-in	18	18
	Ncm	13	13
Rotor Inertia	oz-in-s ² x10 ⁻⁴	170	170
	g-cm ²	1200	1200
Motor Weight (Mass)	lb	5.3	5.3
	kg	2.4	2.4
Maximum Voltage	V	90	90
Std. No. of Leads	—	8	8

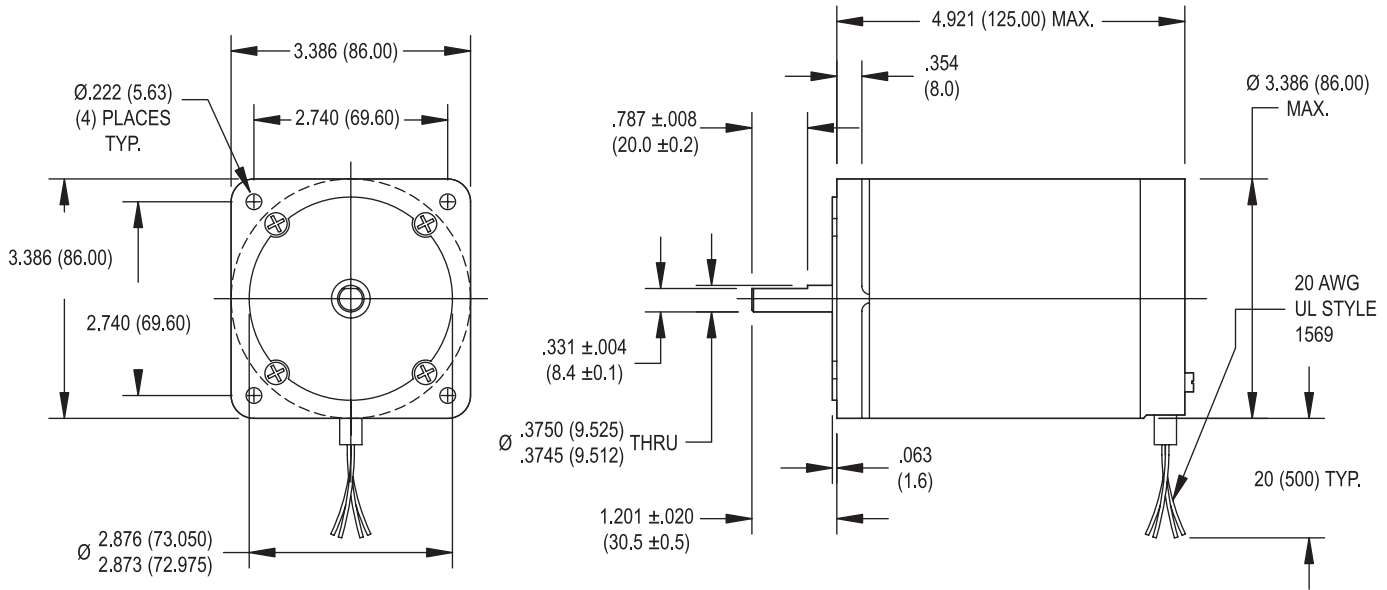


- Standard Features**
- Step angle: 1.8°
 - Step angle accuracy: 5%
 - Insulation class: B (130 °C)
 - NEMA 34 mounting configuration
 - Additional windings and customization options available
 - CE approved

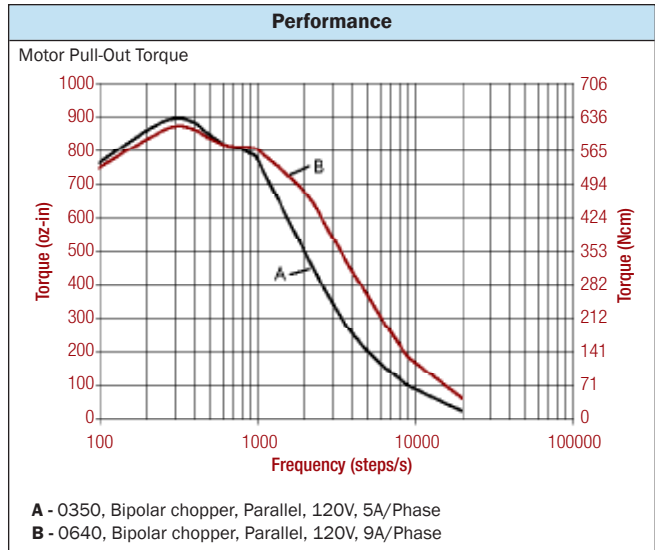
- Complementary Products**
- Gearboxes
 - Encoders



SIZE 34 STEPPER MOTOR DATA

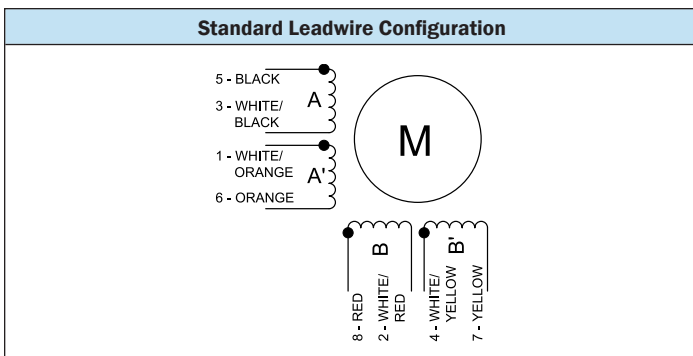


Specification	Units	HN 200 3451	
		0350	0640
Rated Phase Current	A	3.50	6.40
Phase Resistance	Ω	1.5	0.50
Phase Inductance	mH	8.5	2.5
Holding Torque Unipolar	oz-in	878	878
	Ncm	620	620
Holding Torque Bipolar	oz-in	1076	1076
	Ncm	760	760
Detent Torque	oz-in	33	33
	Ncm	23	23
Rotor Inertia	oz-in-s ² x10 ⁻⁴	255	255
	g-cm ²	1800	1800
Motor Weight (Mass)	lb	7.9	7.9
	kg	3.6	3.6
Maximum Voltage	V	140	140
Std. No. of Leads	-	8	8

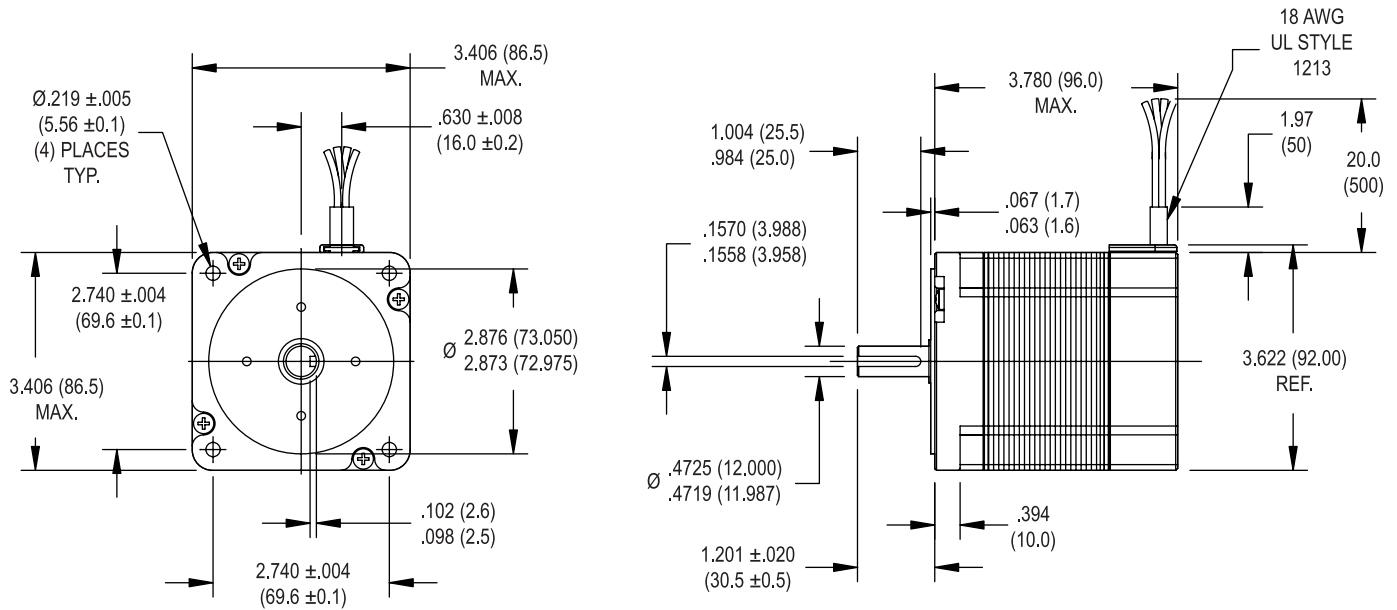


- Standard Features**
- Step angle: 1.8°
 - Step angle accuracy: 5%
 - Insulation class: B (130 °C)
 - NEMA 34 mounting configuration
 - Additional windings and customization options available
 - CE approved

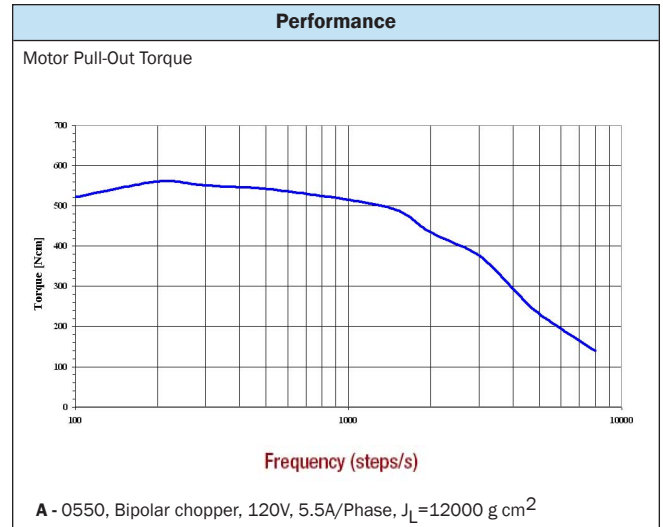
- Complementary Products**
- Gearboxes
 - Encoders



SIZE 34 HIGH PERFORMANCE STEPPER MOTOR DATA

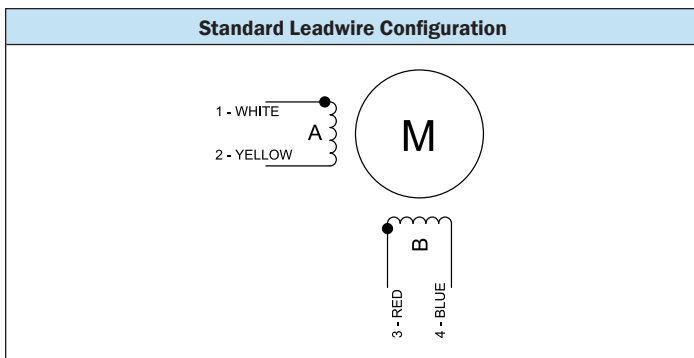


Specification	Units	HS 200 3437		
		0300	0550	0800
Rated Phase Current	A	3.00	5.50	8.00
Phase Resistance	Ω	1.37	0.42	0.19
Phase Inductance	mH	11	3.6	1.6
Holding Torque Unipolar	oz-in	—	—	—
	Ncm	—	—	—
Holding Torque Bipolar	oz-in	779	779	779
	Ncm	550	550	550
Detent Torque	oz-in	28	28	28
	Ncm	20	20	20
Rotor Inertia	oz-in-s ² x10 ⁻⁴	490	490	490
	g-cm ²	3460	3460	3460
Motor Weight (Mass)	lb	6.6	6.6	6.6
	kg	3.0	3.0	3.0
Maximum Voltage	V	160	160	160
Std. No. of Leads	—	4	4	4

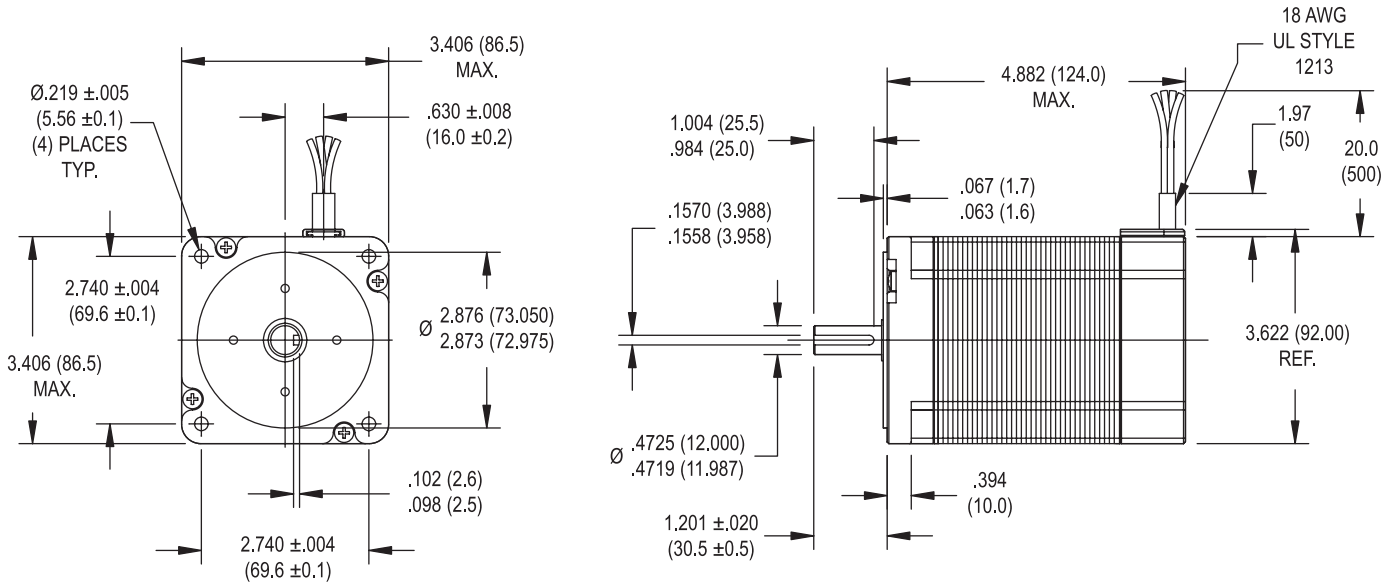


- Standard Features**
- Step angle: 1.8°
 - Step angle accuracy: 5%
 - Insulation class: B (130°C)
 - Optimized for microstep operation
 - NEMA 34 mounting configuration
- Additional windings and customization options available
- CE approval pending

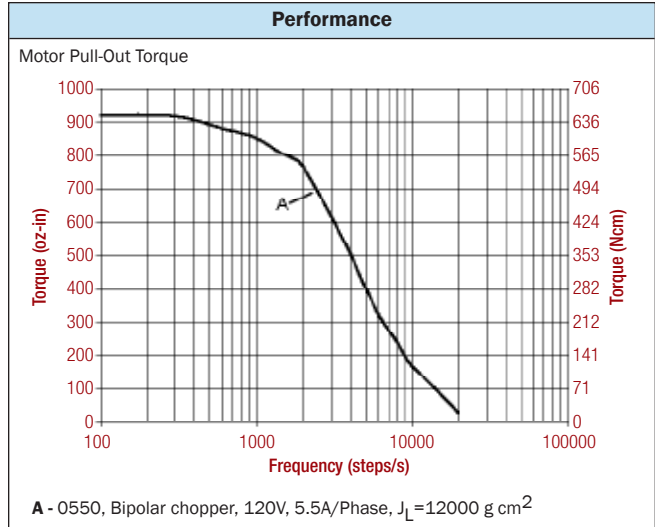
- Complementary Products**
- Gearboxes
 - Encoders



SIZE 34 HIGH PERFORMANCE STEPPER MOTOR DATA

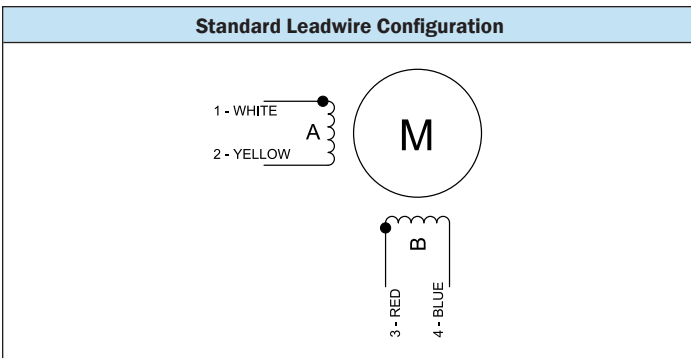


Specification	Units	HS 200 3448		
		0300	0550	0800
Rated Phase Current	A	3.00	5.50	8.00
Phase Resistance	Ω	1.56	0.46	0.22
Phase Inductance	mH	14	4.0	1.9
Holding Torque Unipolar	oz-in	—	—	—
	Ncm	—	—	—
Holding Torque Bipolar	oz-in	1062	1062	1062
	Ncm	750	750	750
Detent Torque	oz-in	28	28	28
	Ncm	20	20	20
Rotor Inertia	oz-in-s ² x10 ⁻⁴	548	548	548
	g-cm ²	3870	3870	3870
Motor Weight (Mass)	lb	8.8	8.8	8.8
	kg	4.0	4.0	4.0
Maximum Voltage	V	160	160	160
Std. No. of Leads	—	4	4	4

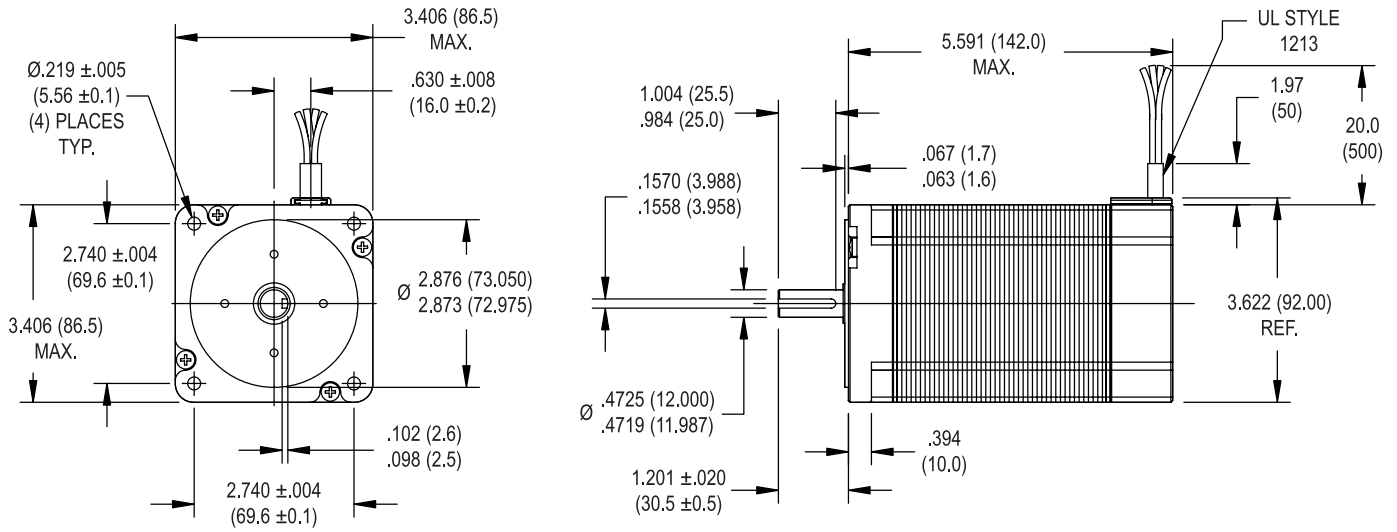


- ### Standard Features
- Step angle: 1.8°
 - Step angle accuracy: 5%
 - Insulation class: B (130 °C)
 - Optimized for microstep operation
 - NEMA 34 mounting configuration
 - Additional windings and customization options available
 - CE approval pending

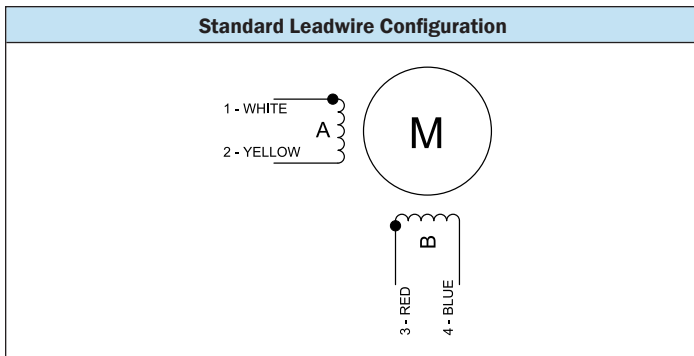
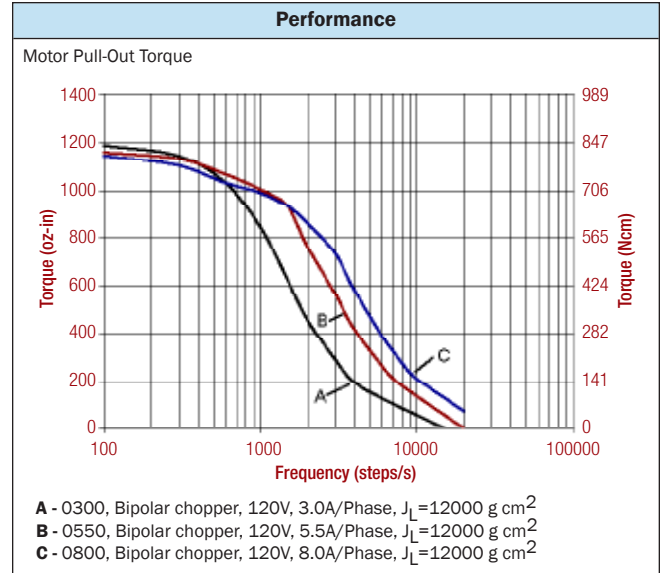
- ### Complementary Products
- Gearboxes
 - Encoders



SIZE 34 HIGH PERFORMANCE STEPPER MOTOR DATA



Specification	Units	HS 200 3455		
		0300	0550	0800
Rated Phase Current	A	3.00	5.50	8.00
Phase Resistance	Ω	1.70	0.55	0.29
Phase Inductance	mH	20	5.6	2.6
Holding Torque Unipolar	oz-in	—	—	—
	Ncm	—	—	—
Holding Torque Bipolar	oz-in	1416	1416	1416
	Ncm	1000	1000	1000
Detent Torque	oz-in	42	42	42
	Ncm	30	30	30
Rotor Inertia	oz-in-s ² x10 ⁻⁴	694	694	694
	g-cm ²	4900	4900	4900
Motor Weight (Mass)	lb	10.8	10.8	10.8
	kg	4.9	4.9	4.9
Maximum Voltage	V	160	160	160
Std. No. of Leads	—	4	4	4



- ### Standard Features
- Step angle: 1.8°
 - Step angle accuracy: 5%
 - Insulation class: B (130 °C)
 - Optimized for microstep operation
 - NEMA 34 mounting configuration
 - Additional windings and customization options available
 - CE approval pending

- ### Complementary Products
- Gearboxes
 - Encoders